

Technical Data Sheet

Product

Model:

AB-3042A

Description:

Curb-mount style solar powered attic fan constructed from corrosion resistant zincalume alloy steel with heavy-duty powder coated finish, featuring a 14 inch diameter fan blade, unit mounted 30W solar panel with adjustable integrated bracket, stainless steel hardware throughout, and thermal switch control included.

Revision:

0

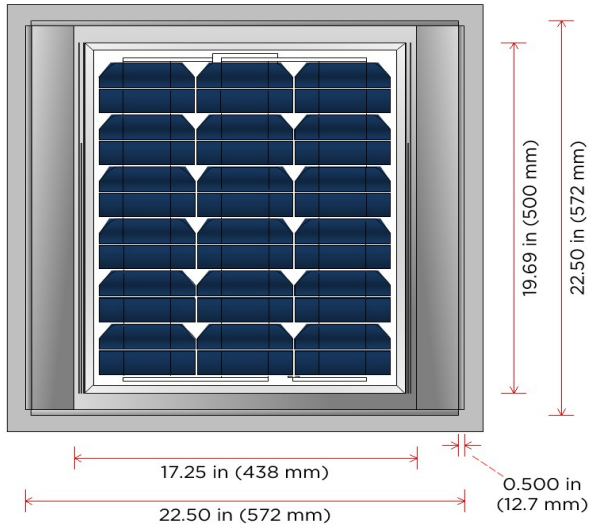
Date:

4/1/2017

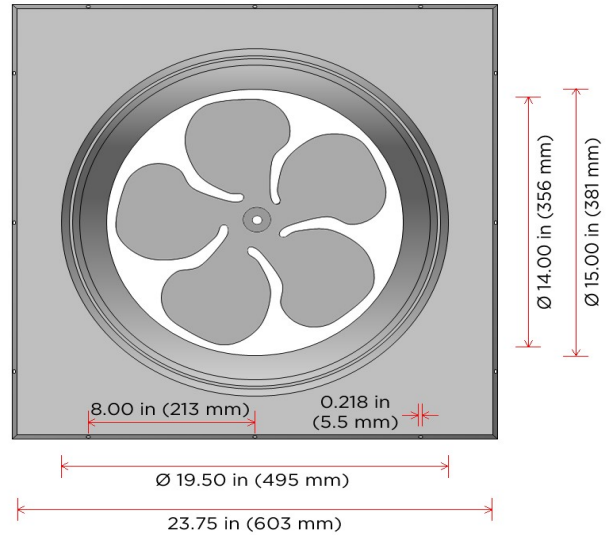
DCN:

TDS-3042A

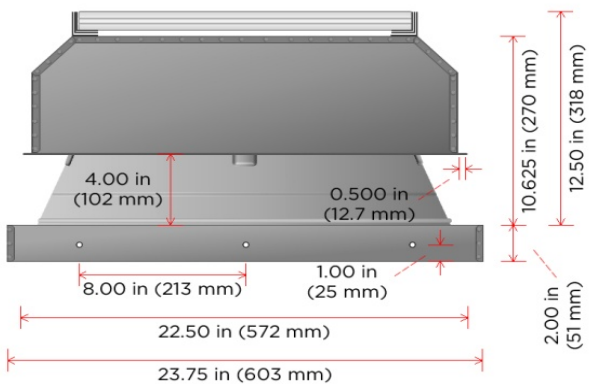
TOP VIEW



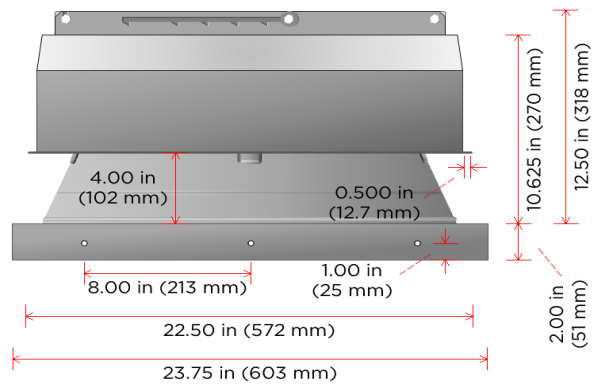
BOTTOM VIEW



FRONT VIEW



SIDE VIEW



Technical Data Sheet

Materials

| | |
|----------------------------------|------------------------------------------------------------------------------------------------------------------|
| Hood & Base: | 22 GA (0.027 in; 0.686 mm) Zincalume/Galvalume AZ50 (ASTM A792) |
| Support Brackets: | 16 GA (0.058 in; 1.473 mm) Galvanized Steel G90 (ASTM A653) |
| Motor Brackets: | 12 GA (0.105 in; 2.667 mm) 304 Stainless Steel (ASTM A666) |
| Wildlife Screen: | 23 GA (0.028 in; 0.710 mm) 304 Stainless Steel; 0.25 in x 0.25 in welded wire mesh |
| Hardware & Fasteners: | 1/4" 18-8 Stainless Steel |
| Fan Blade: | 16 GA (0.050 in; 1.270 mm) Aluminum AL5052 (ASTM B209); 14 in (356 mm) diameter, 5-wing precision balanced blade |
| PV Panel: | AL5052 aluminum frame; impact-resistant tempered glass |

Finish

| | |
|------------------------------|--------------------------------------------------------------------------------------------------------------------------------------------------|
| Coating Type: | Powder coated baked-on finish using Tiger/Drylac Series 38 Super Durable TGIC Polyester coating |
| Coating Thickness: | 2.5-3.5 mils average (ISO 2360) |
| Adhesion: | 5B minimum (ASTM D3359 method B) |
| Exposure Performance: | Passes natural weathering test (ASTM D2244 & ASTM D523; Florida 5 years exposure) with gloss retention >80% and $\leq \Delta E$ 5.0 color change |
| Corrosion Resistance: | Passes 2,000 hour acid salt spray resistance testing (ASTM G85) with 1/32 in (1 mm) maximum undercutting |
| Certifications: | AAMA 2604 compliant |
| Stock Colors: | jet black, bronze brown, weathered gray, polar white, terra cotta, hickory, shakewood |
| Custom Colors: | brick red, hawaiian blue, anodized silver, classic green, turquoise, sandstone |

Electrical

| | |
|-------------------------|-----------------------------------------------------------------------------------------------------------------------------------------------------------|
| Motor: | 38V variable speed DC motor with sealed bearings; fully enclosed and designed to be intrinsically safe with overload protection |
| PV Panel: | High efficiency 30 watt panel; monocrystalline solar cells |
| Internal Wiring: | 16/18 AWG wiring throughout unit |
| Remote Cable: | N/A |
| Termination: | UV/weather resistant quick disconnect plugs |
| Fan Control: | Thermal switch included (activates 75°F \pm 7°F, deactivates 55°F \pm 9°F - UL 873 compliant); Breeze Mate® solar ventilation control system optional |

Performance

| | |
|-------------------------------------------------------------------------------------------------------------------|----------------------------------------------------------------------------|
| Max Airflow Rating: | 1700 CFM @ 0.0 inH ₂ O under peak sun exposure |
| Noise Level: | < 1 sones (< 30 dB) |
| Wind Rating: | +115 PSF/-115 PSF (ASTM E330-02); +170 MPH Wind Speed Equivalence* |
| * Wind speed equivalence based on 30 foot mean roof height in Exposure B; wind zones 1-3; all roof pitches apply. | |
| Certifications: | N/A |
| Warranty: | Residential limited Lifetime Warranty; commercial 25-year limited warranty |

Weight Load

| | |
|-------------------------|--------|
| Fan Unit: | 30 LBS |
| Remote PV Panel: | N/A |