

Technical Data Sheet

Product

Model: AB-6052

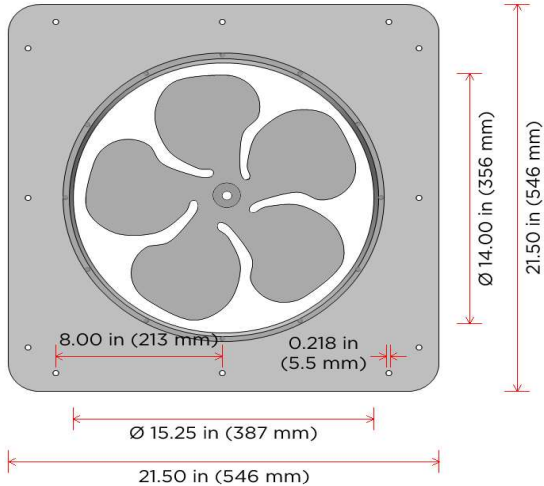
Description: Retrofit-gable style solar powered attic fan constructed from corrosion resistant zincalume alloy steel featuring a 14 inch diameter fan blade, remote mounted 60W solar panel with standard flush mounting brackets, 15 foot UV/weather-resistant power cable, stainless steel hardware throughout, thermal switch and fire safety switch included.

Revision: 1

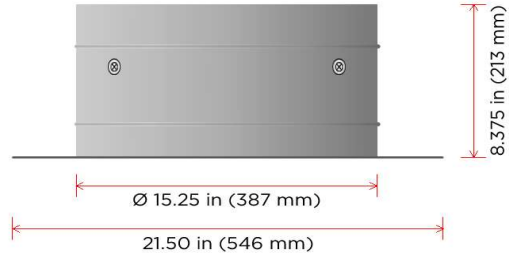
Date: 2/8/2018

DCN: TDS-6052

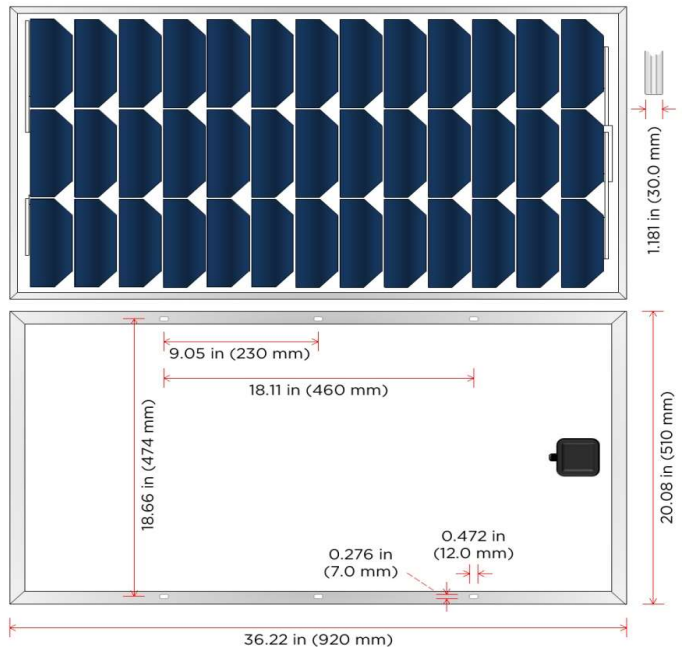
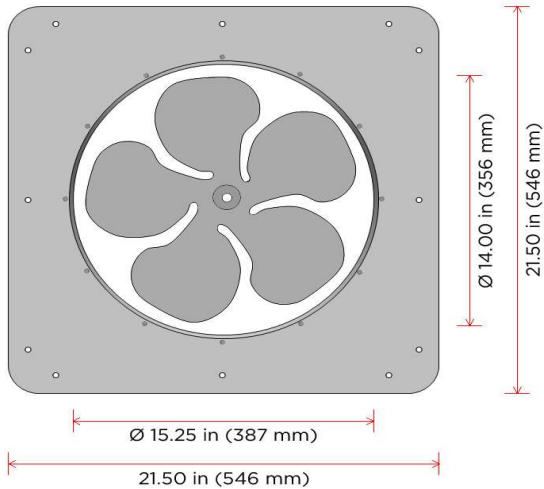
TOP VIEW



SIDE VIEW



BOTTOM VIEW



Technical Data Sheet

Materials

| | |
|----------------------------------|--|
| Hood & Base: | 22 GA (0.027 in; 0.686 mm) Zincalume/Galvalume AZ50 (ASTM A792) |
| Support Brackets: | N/A |
| Motor Brackets: | 16 GA (0.058 in; 1.473 mm) 304 Stainless Steel (ASTM A666) |
| Wildlife Screen: | N/A |
| Hardware & Fasteners: | 1/4" 18-8 Stainless Steel |
| Fan Blade: | 16 GA (0.050 in; 1.270 mm) Aluminum AL5052 (ASTM B209); 14 in (356 mm) diameter, 5-wing precision balanced blade |
| PV Panel: | AL5052 aluminum frame with impact-resistant tempered glass; AL5052 aluminum standard mounting brackets (available with adjustable universal bracket kit) |

Finish

| | |
|------------------------------|-----|
| Coating Type: | N/A |
| Coating Thickness: | N/A |
| Adhesion: | N/A |
| Exposure Performance: | N/A |
| Corrosion Resistance: | N/A |
| Certifications: | N/A |
| Stock Colors: | N/A |
| Custom Colors: | N/A |

Electrical

| | |
|-------------------------|--|
| Motor: | 38V variable speed DC motor with sealed bearings; fully enclosed and designed to be intrinsically safe with overload protection |
| PV Panel: | High efficiency 60 watt panel; monocrystalline solar cells |
| Internal Wiring: | 16/18 AWG wiring throughout unit |
| Remote Cable: | 14 AWG UV/weather resistant power cable (15 feet); available with 14 AWG extended power cable (40 feet) |
| Termination: | UV/weather resistant quick disconnect plugs |
| Fan Control: | Includes thermal switch (activates 75°F ± 7°F, deactivates 55°F ± 9°F - UL 873 compliant) and fire safety switch (deactivates at 228°F +0°F/-9°F - UL 60691 compliant); Breeze Mate® solar ventilation control system optional |

Performance

| | |
|----------------------------|--|
| Max Airflow Rating: | 2100 CFM @ 0.0 inH2O under peak sun exposure |
| Noise Level: | < 1 sones (< 30 dB) |
| Wind Rating: | N/A |
| Certifications: | N/A |
| Warranty: | Residential limited Lifetime Warranty; commercial 25-year limited warranty |

Weight Load

| | |
|-------------------------|--------|
| Fan Unit: | 9 LBS |
| Remote PV Panel: | 11 LBS |